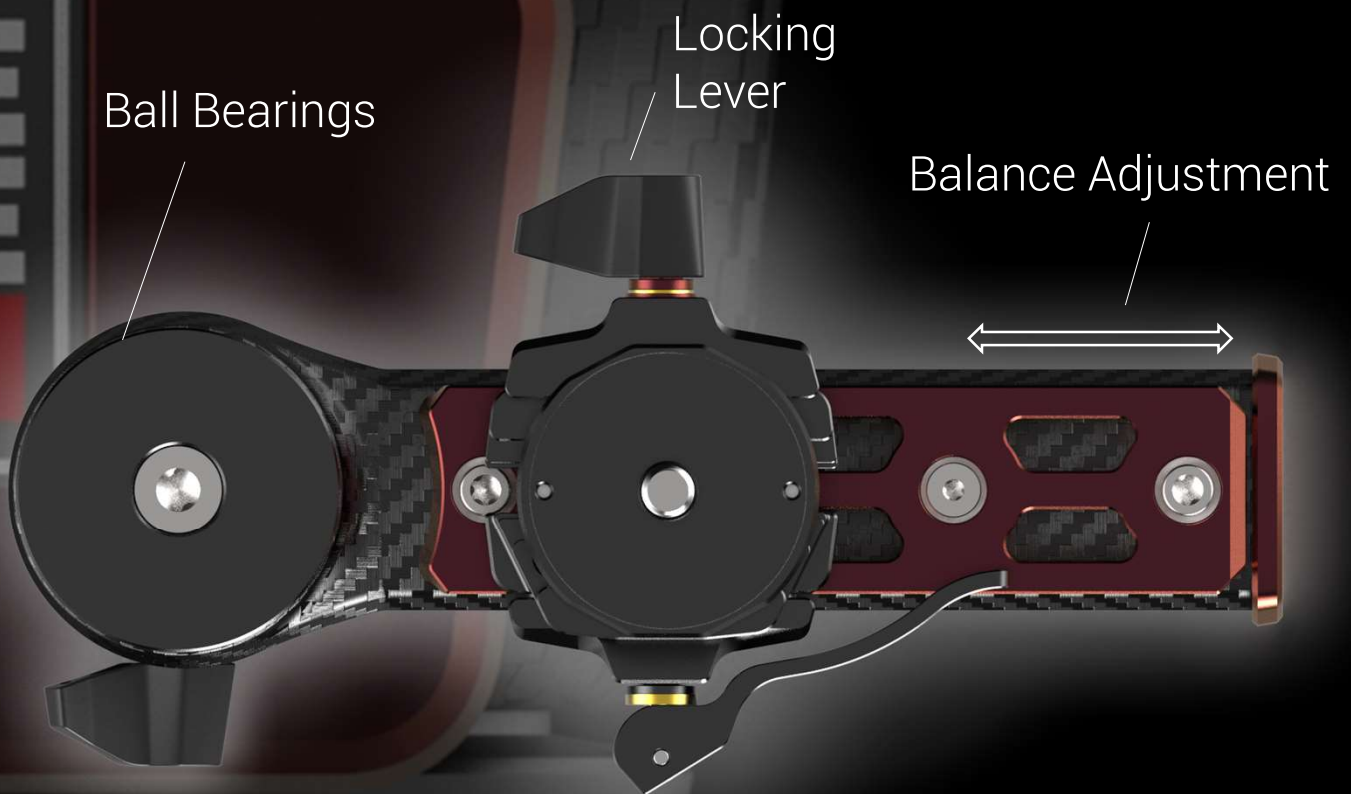
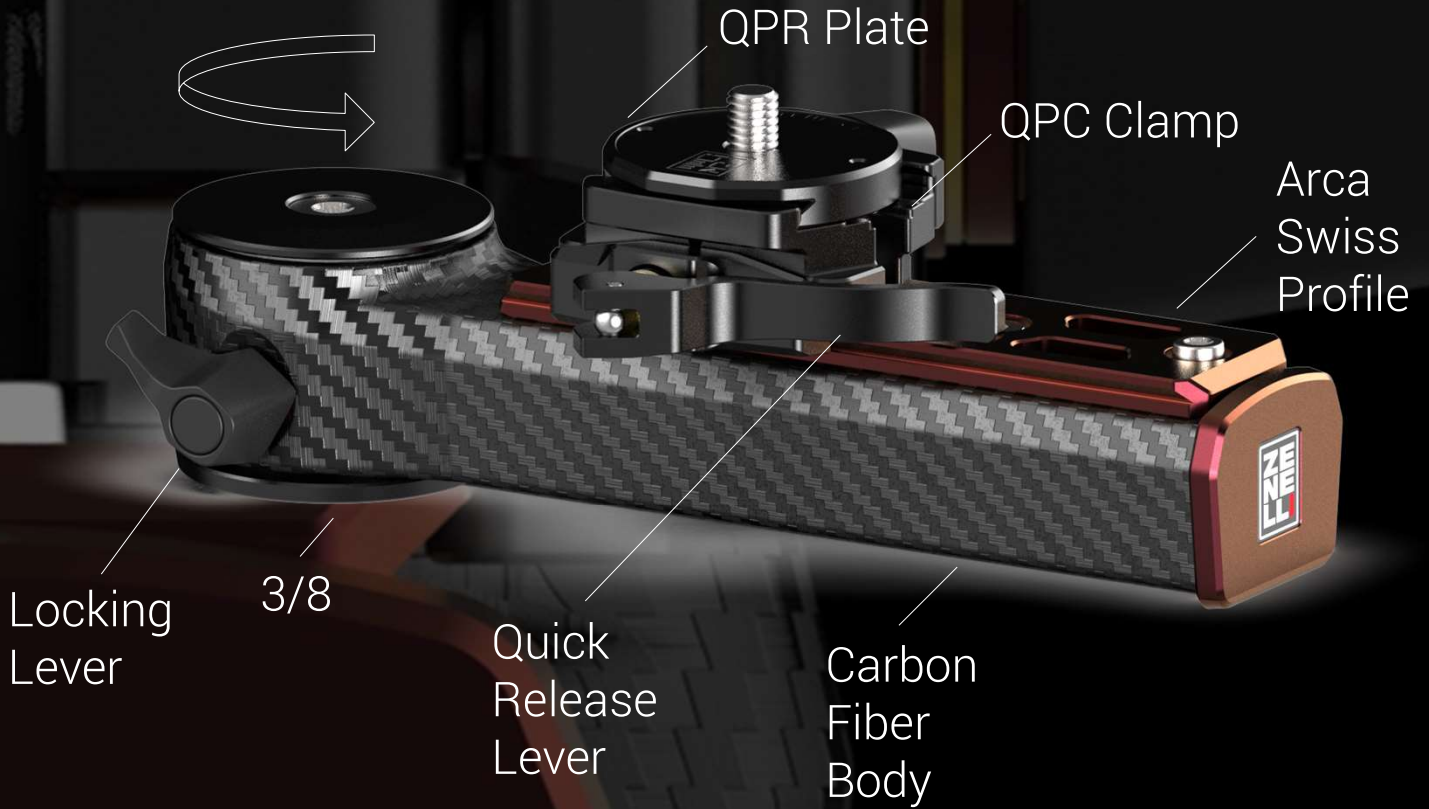




# CARBON ZB

# CARBON ZB

Carbon Extender



# CARBON ZB

Carbon Extender

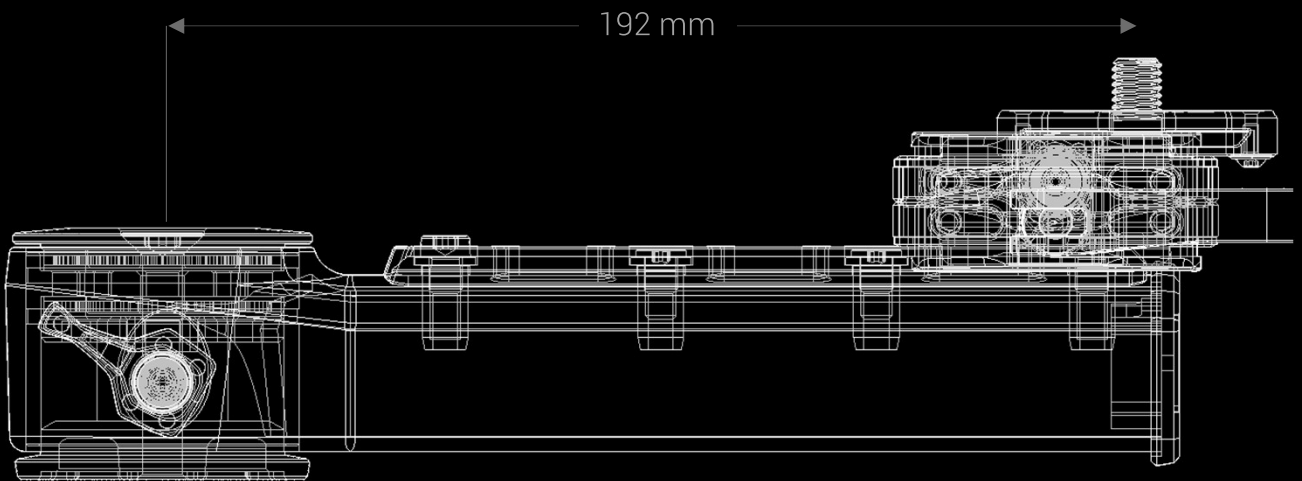
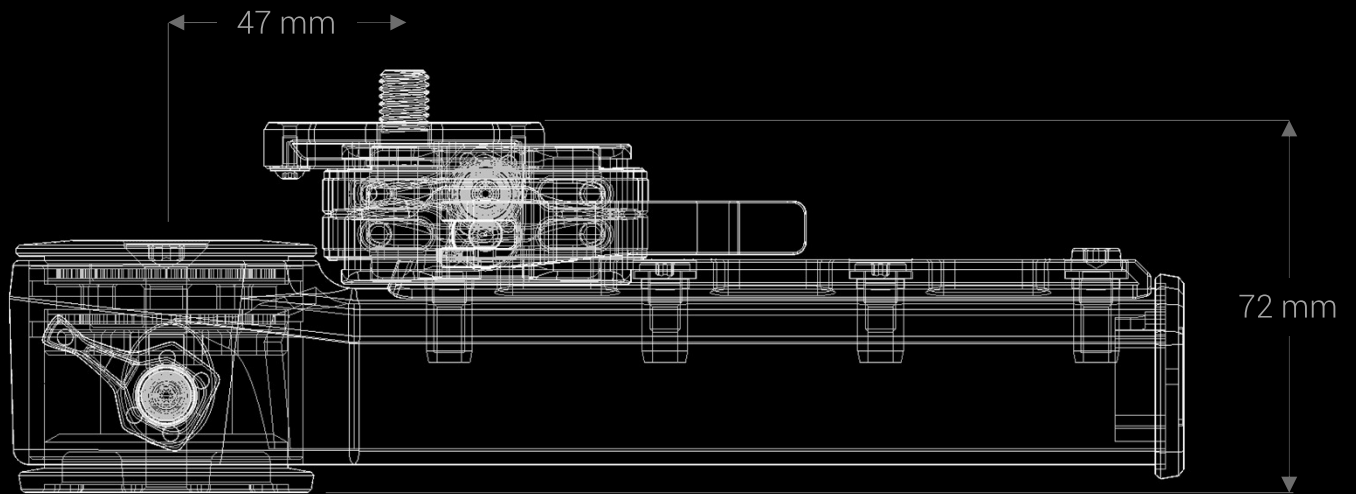


CARBON ZR  
example of mounted head



# CARBON ZB

Carbon Extender



# CARBON ZB

## Carbon Extender



Family	Description	Finish	Name	EAN 13
ZB	Carbon Extender Head	glossy	Carbon ZB	8052575490399

The Lightest Extender for Tripod Heads ever made. Research, design and cutting-edge technology make it an unparalleled product both in terms of performance and quality. Attractive design, specifically designed to obtain maximum rigidity combined with ergonomics and functionality. 100% Made in Italy.

Used Technology: CNC Machining and Extruded.

Body Principal: Made in Carbon Fiber.

Product Weight: 0.69 Kg = 1.52 lb.

Max Load: 40 Kg = 88 lb.

Dimension: 230x60x60 mm = 9x2.4x2.4 in.

Stroke Adjustment: 145 mm = 5.7 in.

Operating Temperature: +68°/-32°C = 154°/90°F.

Movements: Smooth Free, Ball Bearings.

Recommend for: Birdwatching, Wildlife and Sports Photography.

Heads Recommend: All

Lenses Recommend: All

ZB is the lightest extender to use for all Tripod Heads in the market. With ZB extender you can center the axis of a large lens with the panoramic axis using a Gimbal Head. You can decentralize a Ball Head to reach further away subjects. You can extend the rotation arm by using two panoramic axes at the same time as if they were two independent joints. During a location you have the possibility of increasing the range of action by using two panoramic junctions, so reaching moving subjects has never been so convenient and easy. Use all your imagination! ZB is produced with the best materials on the market today: main body in Carbon Fiber to absorb the micro-vibrations of the shot, Extruded Aluminum to increase solidity and Stainless Steel screws to resist all conditions.



